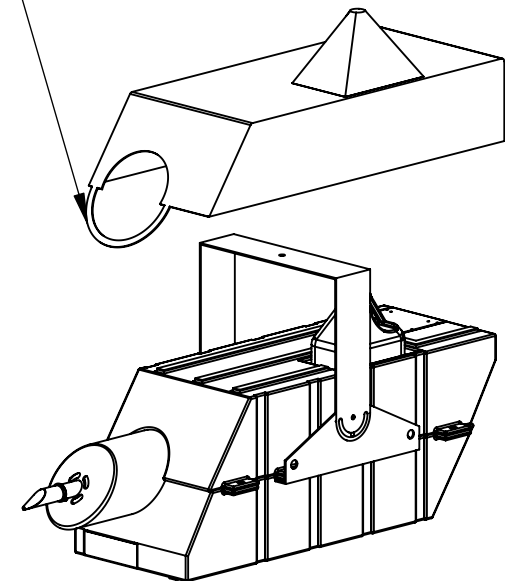
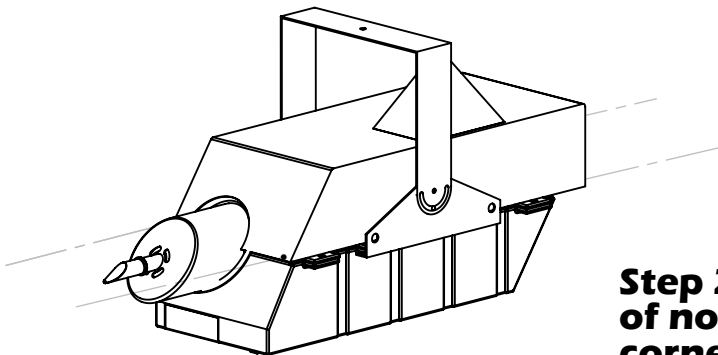


**T-1600  
WEATHER COVER INSTRUCTIONS:**

**weather cover velcro strap**



**Step 1: Slide cover under hanger bracket with velcro strap to the front of machine as shown.**



**Step 2: Fasten velcro strap around bottom of nozzle. Fasten screws provided in four corners of machine as shown.**