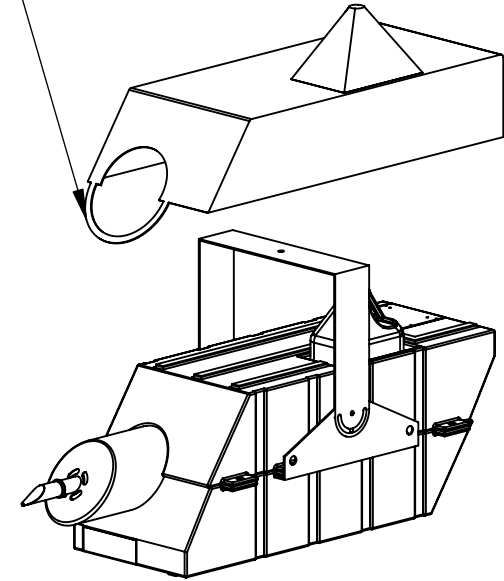
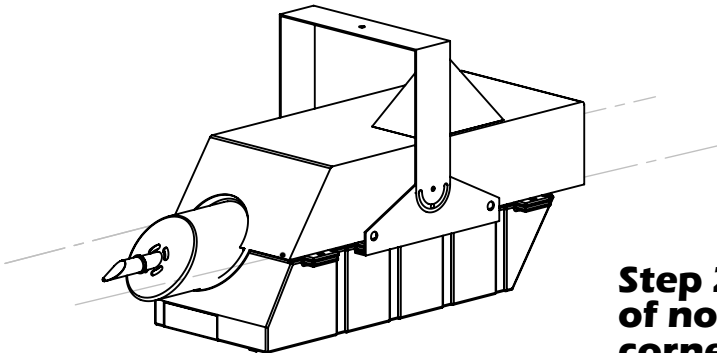


**T-1600
WEATHER COVER INSTRUCTIONS:**

weather cover velcro strap



Step 1: Slide cover under hanger bracket with velcro strap to the front of machine as shown.



Step 2: Fasten velcro strap around bottom of of nozzle. Fasten screws provided in four corners of machine as shown.