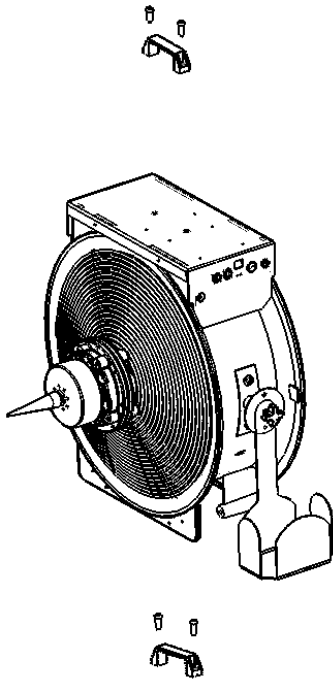
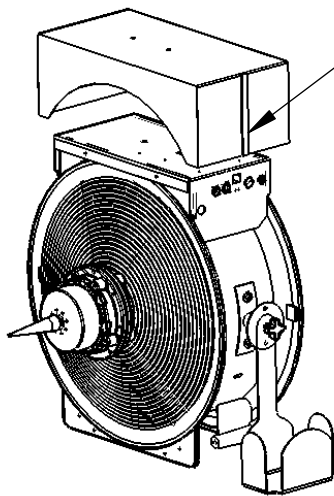


# T-1500 AND T-1500 MINI WEATHER COVER INSTRUCTIONS:

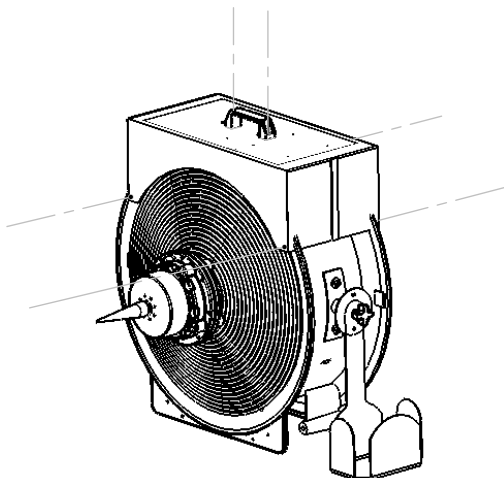


**Step 1: Remove handle bolts and handle.**



**weather cover velcro seam**

**Step 2: Line up with corner of machine then punch handle bolt holes making sure the velcro is on the switch side.**



**Step 3: Fasten handle back in place. Take screws provided and fasten all four corners as shown.**