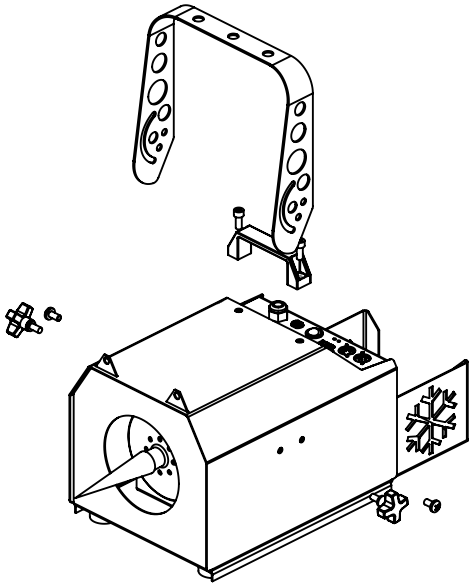
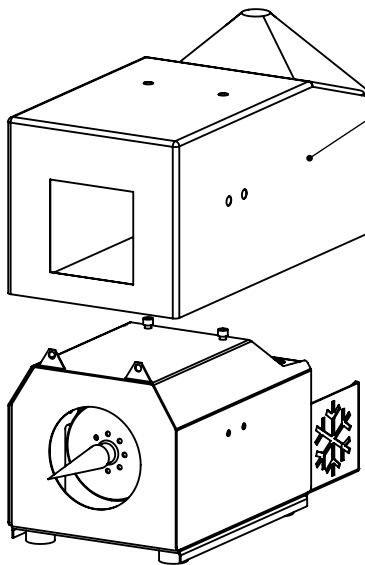


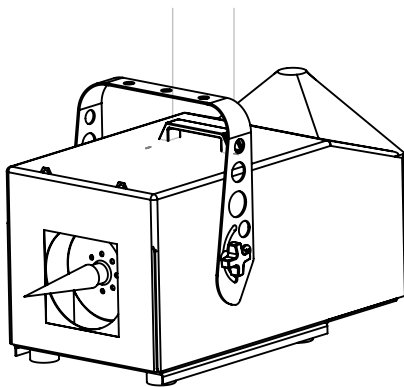
**T-1100
WEATHER COVER INSTRUCTIONS:**



**Step 1: Remove hanger bolts and bracket.
As well as carrying handle and bolts as shown.**



**Step 2: Slide cover over machine with square
nozzle hole toward front. Line up with corner
of machine, punch hanger bolt and handle holes.**



Step 3: Fasten all bolts back securely as shown.