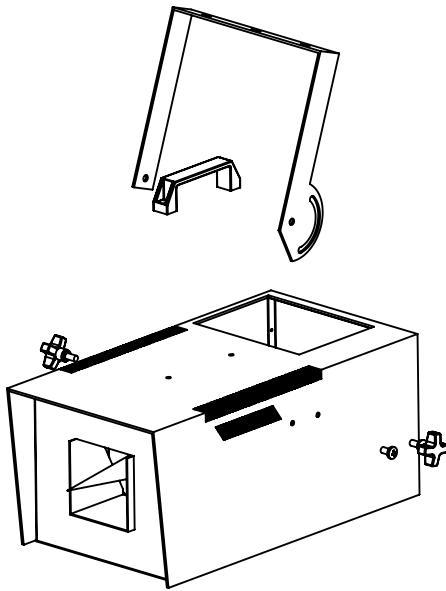
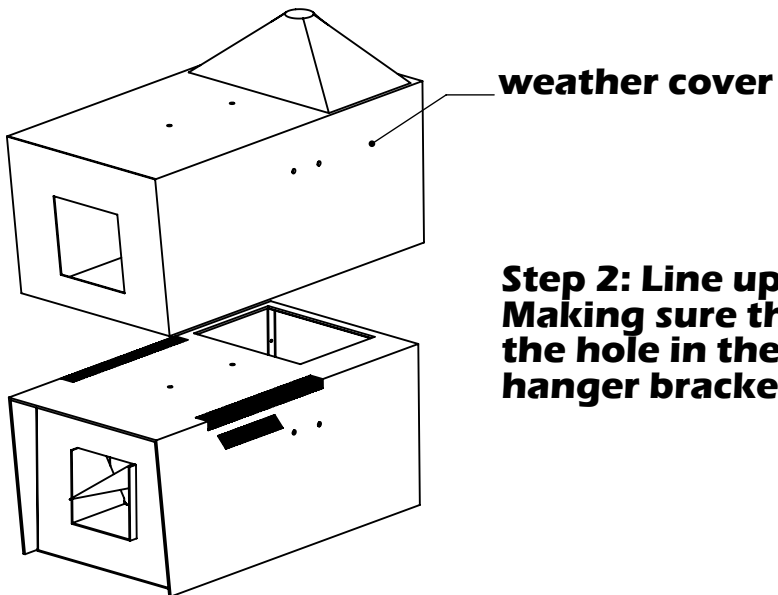


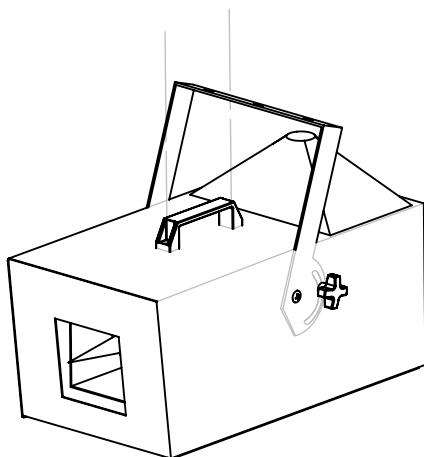
**T-1000
WEATHER COVER INSTRUCTIONS:**



Step 1: Remove the hanger bracket and bolts. Also remove handle bolts and handle.



Step 2: Line up cover with corner of machine. Making sure the hole in the cover goes over the hole in the machine . Then punch holes for hanger bracket and handle.



Step 3: Fasten the hanger and handle bolts back securely.