

THE SNOWMAN MANUAL

The SNOWMAN is a home version of special effects product used for years in Movie Productions, Theatres, Malls, and Presentations. This cute little snowman sprays evaporative snow out of his tubular nose and creates a snowfall effect without extensive cleanup or cold air. This Snowman can be the centerpiece of indoor or outdoor holiday arrangements in warm and cold environments.

IMPORTANT PRODUCT AND SAFETY INFORMATION

Failure to follow these instructions can cause serious bodily injury or property damage.

CAUTION: YOU MUST READ THE FOLLOWING BEFORE OPERATING THE “SNOWMAN”.

The Snowman is an Electric Product -not a Toy. To avoid the risk of fire, burns, personal injury, and electric shock, **it should not be played with and should be placed out of the reach of small children.** Adult Supervision is Continuously Necessary to Avoid the Risk of Electric Shock or Personal Injury. Always keep fingers away from the FAN GUARD and never remove the rear Electronic Enclosure Cover.

The Snowman generates evaporative snow that normally evaporates easily when dissipated from 20-30 ft in the air. Since the Snowman may be positioned at ground level, there is a chance for some build-up of slippery residue on some ground surfaces (linoleum in particular). Use caution in determining locations for the snowman and warn passers-by of potential slippery conditions.

Never operate the Snowman without liquid solution (FG-100) or water in the solution bottle. Do not run the Snowman when the Gallon Solution bottle is holding less than a pint of solution. If you do not follow these directions, the Snowman can be damaged.

Always operate the Snowman on a dry, level surface away from a ledge or steps. If the Snowman falls, it could hurt someone.

Never leave the Snowman unattended while operating. Do not operate it in the rain or near standing water.

Always use an outlet with an earth grounding receptacle and a Ground Fault Circuit Interrupt (GFCI).

Never use this product for any activity than for what it is intended.

Specifications:

Voltage: 110 60 Hz

Fuse: 10 Amps

Size: 17" Wide, 15" Deep and 27" Tall

Weight: 13 lbs

Materials: Predominately: Polyethylene Exterior w/Aluminum Cover

Snow Solution

Usage Rate 1.5-2 oz Solution Mixture per minute (approximate)

Cable Length 7 feet

Solution Mixture: FG-100 C or FG-100 Premix

SnowMasters Labs are constantly inventing and reformulating solutions in order to improve the snow from the Snowman. Please contact SnowMasters at 800-745-8599 for more information. In order to prevent operation problems and observe the Warranty guidelines, always use a Snow Master approved solutions.

FG-100 Solution. The ratio mix for this snow solution is 8 oz of solution per 1 gallon of water. See the chart below for some examples of common water/solution ratios for the Snow Juice Concentrate Solution only.

Mix Water and Concentrate Solution as Shown Below:

Water	FG-100 Concentrate		
	Tablespoons	or Pints	or Fluid Ounces
1/2 gallon	8	1/4	4
1 gallon	16	1/2	8
2 gallons	32	1	16
5 gallons	80	2 1/2	40

Stir the solution in the container before operating the Snowman

General Operating Instructions:

The Snowman has some simple instructions that must be followed carefully in order to create a **beautiful and entertaining evaporative snowfall**, ensure the safety of the operators/participants, and to protect the equipment from damage. PLEASE FOLLOW THESE INSTRUCTIONS CAREFULLY.

1) Prepare the area you intend to direct your snowfall. Review “Diagram 1” which shows approximate spread of the evaporative snow. Always prepare your snowfall area; making sure it is dry and free of obstructions, so that your guests won’t trip over an object while playing in the flakes. Note that if the snowfall surface area is linoleum or smooth, some flakes can create a slippery floor.

2) Locate the Snowman on a secure, dry, and level surface, then rotate the Snowman so that his nose points in the direction you want it to spray snow. Secure the Snowman and solution container at higher elevations, so they do not fall on top of onlookers. Keep the Snowman unplugged from the electrical outlet while placing it in your desired location. **Do not operate the Snowman from a wet surface or when it is raining.**

3) Prepare the snow solution in a plastic container or the empty gallon bottle provided per the “Solution Mixture” section of this manual. If the correct water/concentrate mix is not blended properly, the Snowman may not create the ideal evaporative snowflakes. Place the clear tube in container with the “Solution Mixture” and push it down, such that the open end reaches the bottom of the filled container. The pump in the Snowman is self-priming.

4) In order to start the Snowman, press down on the “ON” designated side of the “Rocker Switch” in the back of the Snowman. Turn off the Snowman by pressing the Rocker switch to the middle or centered position. Do not operate the Snowman without the clear tube submerged in the solution container.

5) If the solution has drained out of the clear tube during a rest period for the Snowman, it may take a minute or two for the pump to self-prime itself from the solution container liquid.

Cleaning and Storing the Snowman:

In order to clean the Snowman, fill another plastic container ½ full with water and run the Snowman for 3-5 minutes with the nose tilted downward. You may clean the plastic exterior of the Snowman with detergent and water. Dry off the Snowman and store it in its plastic bag and box, if possible. Do not stack other boxes or items on top of the Snowman. Store the Snowman in a cool, dry environment between 40-80 degrees F. If electrical wires are frayed, contact the factory at 800-745-8599 for service. **Never operate the Snowman with a frayed electrical wire.**

Maintenance:

Fuse Replacement: To replace the fuse, unplug the Snowman at the electrical outlet. Remove the fuse cap located below the “Rocker Switch” on the back panel by pressing down on it and rotating it counter-clockwise. Pull off the fuse with the cap and replace it with another 10 AMP fuse. Place the cap back on the fuse holder and rotate it clockwise. If the fuse burns out immediately, contact customer service at 800-745-8599.

Tube Replacement: Upon damaging the clear tube, contact customer service at 800-745-8599.

Caution: Never remove the back panel of the Snowman. Contact customer service at 800-745-8599

General Repair: The Snowman has a limited warranty **and should never require you to remove the electrical panel**. Please contact Snow Masters service at 800-745-8599 if you have questions on its operation or warranty.

Limited Lifetime Warranty:

SnowMasters provides a limited lifetime warranty for the Snowman for manufacturing defects related to the power cord, pump and fan. Any misuse, abuse, or negligence automatically voids our warranty. Running any other liquids/materials other than water and the SnowMaster's solutions through the pump automatically voids our warranty. SnowMasters is not responsible for losses of income, labor, or business as a result of a Snowman's malfunction. SnowMasters is not responsible for physical damage, scratching, tube damage, after shipping from SnowMaster's Manufacturing facility. For safety reasons, SnowMasters will repair damaged electrical wires per the warranty. There is a two-year warranty on the circuit board and other electronics unrelated to the fan or pump. Direct all questions and claims to the SnowMasters customer service at 800-745-8599

Q/A Problems Section

1) If the Snowman does not generate snow, review the following checklist.

a) Is the Fan Operating? (Air is shooting out nose of the Snowman).

Yes: Move on to (b)

No: Check the electric plug interface to the outlet connection. Then, check the "Rocker Switch"- press it up and down both ways. The red LED light near the switch should be illuminating if power is reaching the Snowman. If it not operating, check the fuse per the maintenance section of this manual If it still does not operate, call customer service at 800-745-8599.

b) Is the Pump Operating

Yes: If you feel the clear plastic tube vibrating, then the pump is operating. Go to (c)

No: Contact customer service at 800-745-8599.

c) Check to see if the tube is fully submerged in solution and is not pinched. A hole in the hose would require replacement.

d) Create a new “Solution Mixture” per the instructions.

2) Is the Snow generated very wet or light in volume? Always allow two minutes or so for the snowman to come to full operation after an extended storage or for the first time operating.

a) Remake another batch of your recipe solution and check your water to solution ratio carefully.

b) Make sure the clear tube is completely submerged in the solution.

c) Contact customer service at 800-745-8599

3) Technical Service or Purchasing Solution:

Use customer service at 800-745-8599

24 hour Tech Support
888-391-7669

Re-Order Solution online

www.snowmasters.com



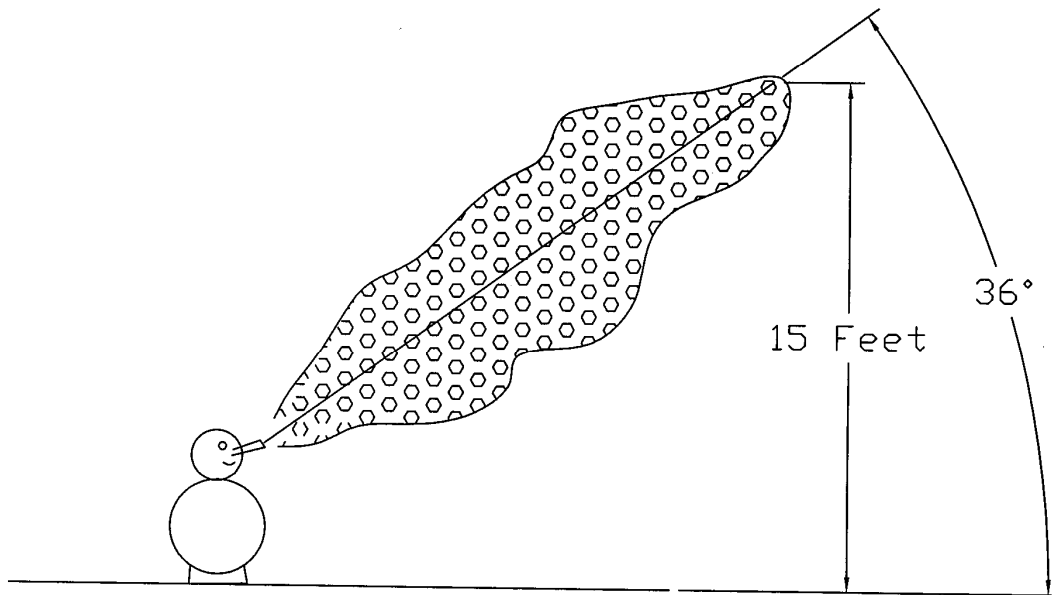
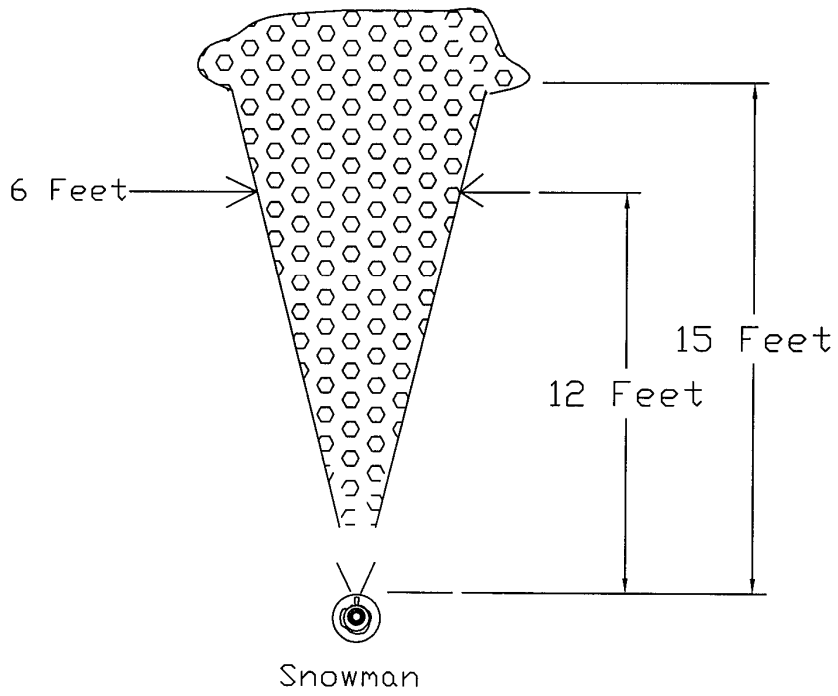


DIAGRAM 1